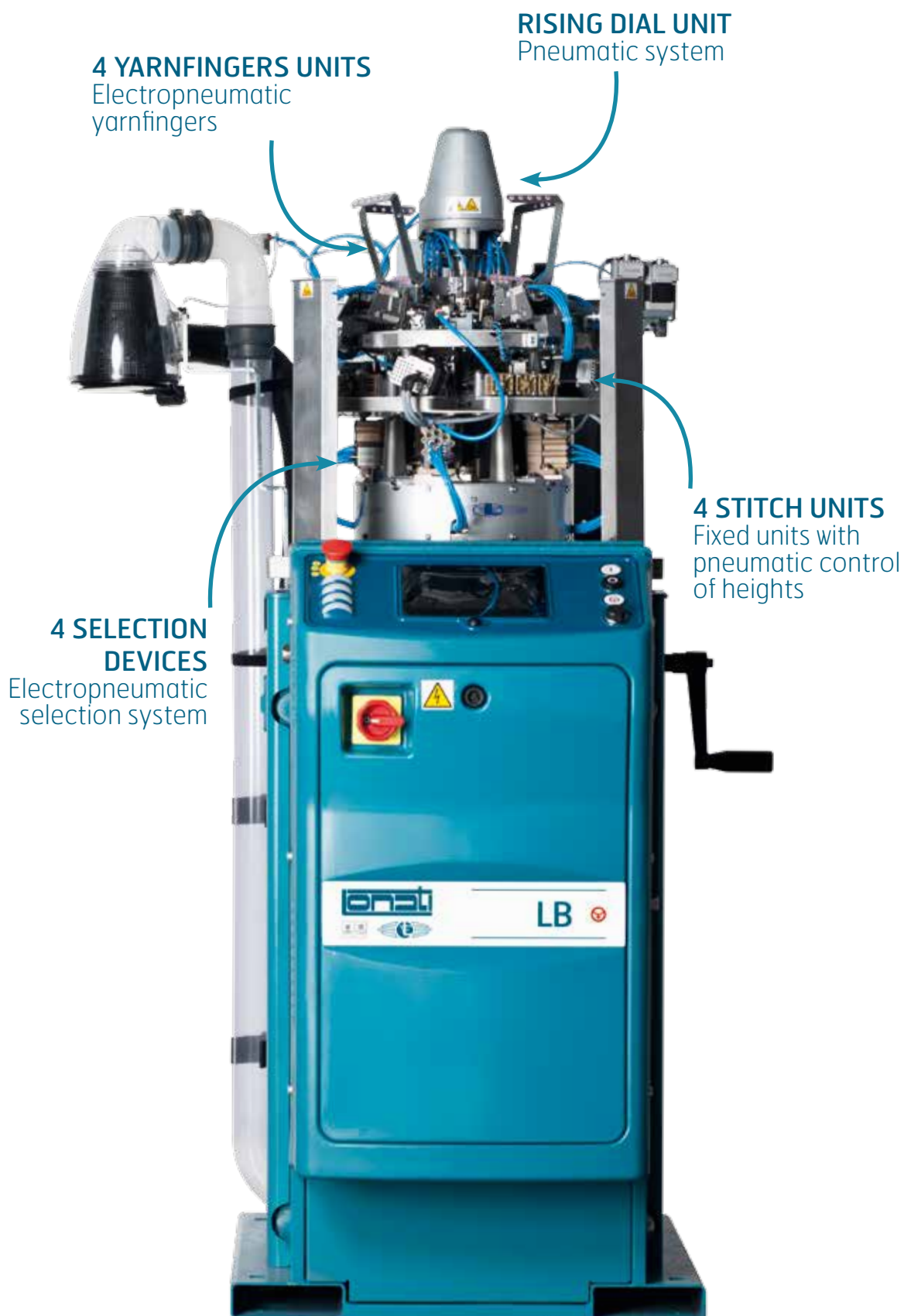


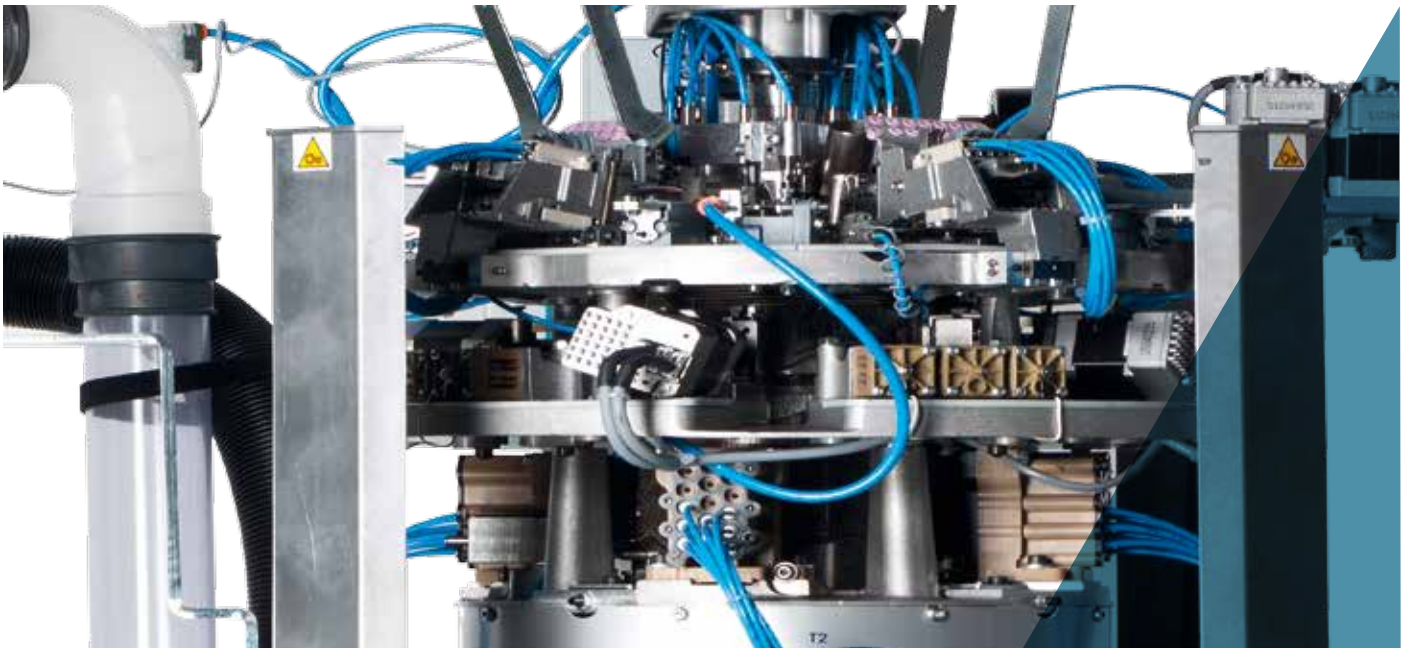
WOMEN'S WOMEN'S SINGLE CYLINDER LB45T - LB5T



WOMEN'S SINGLE CYLINDER

LB45T - LB5T





All images in this brochure are indicative and not binding.

WOMEN'S SINGLE CYLINDER LB45T - LB5T

Electropneumatic single cylinder, 4 feeds machine for pantyhose and leggings in plain knit and/or terry, 1x1 and 3x1 fixed mesh on 4 feeds and T-Band, covered lycra plating, 4 feeds plating, size marks and pneumatic selection on all feeds. Single dial jacks. Electronic device to maintain size at any temperature on the machine.

- 4 feeds single cylinder machine
- 6 pliers suction unit
- 24 yarn fingers
- Motorized sinkers cap, 2 motors
- 4 pneumatic stitch cams
- 4 pneumatic selection units on feeds 1,2,3 and 4 for mesh

MACHINE DIMENSIONS



Length 60 cm + yarn creel cm 130
Depth 60 cm + yarn creel cm 130
Height 136 cm + yarn creel cm 250

MACHINE WEIGHT



Machine 225 kg
Yarn creel 28 kg

CERTIFICATION



Green
Label

WOMEN'S SINGLE CYLINDER

LB45T - LB5T

TECHNICAL DATA

| MODEL | CYLINDER DIAMETER | GAUGE | NEEDLE THICKNESS |
|----------------------------|-------------------|-------|------------------|
| LB45T (Needle latch 8,7mm) | 4" 1/2 | 24 | 0.41 mm |
| LB5T (Needle latch 8,7mm) | 5" | 24 | 0.41 mm |

Above data are indicative and not binding.

STANDARD DEVICES

- 26 or 40 reels yarn creel;
- Sock ejection hood;
- Yarn waste filter;
- Stepper motor controlled suction valve;
- Rotary or fixed antitwist device;
- 8 yarn sliding sensors;
- Laid-in mechanical device on feed 1 and 3;

OPTIONAL DEVICES

- DREAM or DREAM ONE device for stretching socks in ejection
- 2,2 Kw suction fan
- Ethernet board for connection to Dinema Nautilus data collector system
- Dinema YoYo yarn feeder, 12 max
- Dinema Plus medical or bare elastomer yarn feeders, 4 max
- Yarn sensors, 24 max
- 4 motorized stitch cams
- Motorized plating yarn finger radial movement

SUITABLE YARNS

The machine is designed to be used with the following yarns:

- Nylon;
- Elastomers (bare, single or double cover);
- Filanca;

POSSIBLE KNITTINGS

The standard machine can perform the following knittings

- Terry
- Plain knit
- 1:1, 3:1, 5:1, 7:1, 1:3 fixed mesh
- 1:1 for vertical bands for cutting
- Supp-hose on 2 or 4 feeds
- Plain knit plating on 2 or 4 feeds

WOMEN'S SINGLE CYLINDER

LB45T - LB5T



PERFORMANCES

| | 4" 1/2 CYLINDER DIAMETER | 5" CYLINDER DIAMETER |
|-------------------|------------------------------|------------------------------|
| GAUGE | 24 | 24 |
| KNITTING FEATURES | With terry 400 rpm max speed | With terry 350 rpm max speed |
| MAXIMUM SPEED | 500RPM | 500 RPM |

Above data are indicative and not binding.

DISCLAIMER:

Speed may need to be adjusted according to the inclination of the stitch cams, to the mechanical parts in use and to the yarn.
N.B. All data in the brochure are for information only and subject to change without any prior notice from Lonati SpA.

ALLOWED PERFORMANCES

| CHART OF MAXIMUM ALLOWED SPEED IN PLAIN KNIT IN RELATION TO THE INCLINATION TO THE STITCH CAMS | |
|--|-------------------------------------|
| Stitch cam inclination | Maximum allowed speed in plain knit |
| 55° | 450 |

| AVAILABLE CYLINDERS LB45T | |
|---------------------------|-----------|
| GG75-0,34* | - |
| GG70-0,41 | 340 |
| GG54-0,50 | 336 |
| GG48-0,60 | 256 - 296 |
| GG36-0,70 | - |

| AVAILABLE CYLINDERS LB5T | |
|--------------------------|-----------------------|
| GG75-0,34 | - |
| GG70-0,41 | 320 - 376 - 440 - 464 |
| GG54-0,50 | 376 |
| GG48-0,60 | 288 |
| GG36-0,70 | 208 |

Above data are indicative and not binding.

*Needle thick. 0,34 terry only with synthetic fibres.

DISCLAIMER:

All data related to maximum allowed mechanical speed may require to be reduced (to be adjusted according to functional tests on the machine) when using specific particular yarns and/or knitting features.

Lonati is recommending needles from
GROZ-BECKERT®

WOMEN'S SINGLE CYLINDER

LB45T - LB5T

ELECTRIC POWER CONSUMPTION

Machine maximum speed 400 r/m, "Average" standard pantyhose program for 1 hour.

| MACHINE MODEL | CONSUMPTION kWh |
|---------------|-----------------|
| LB45T - LB5T | 0.380 |

COMPRESSED AIR CONSUMPTION

Gauge pressure 6 bar, humidity 0% dryer outlet temperature 18° C – 21° C. With pantyhose ejection blow and suction mouth cleaning.

| MACHINE MODEL | CYCLE TIME | CONSUMPTION PER PANTYHOSE | CONSUMPTION PER MINUTE |
|---------------|------------|---------------------------|------------------------|
| LB45T - LB5T | 200" | NI 42 | NI 13 |

SUCTION CONSUMPTION

Cylinder = 650/700 mm/H2O - Suction mouth = 650/700 mm/H2O - Average consumption for all models = 3 m³/min.

NOISE LEVEL

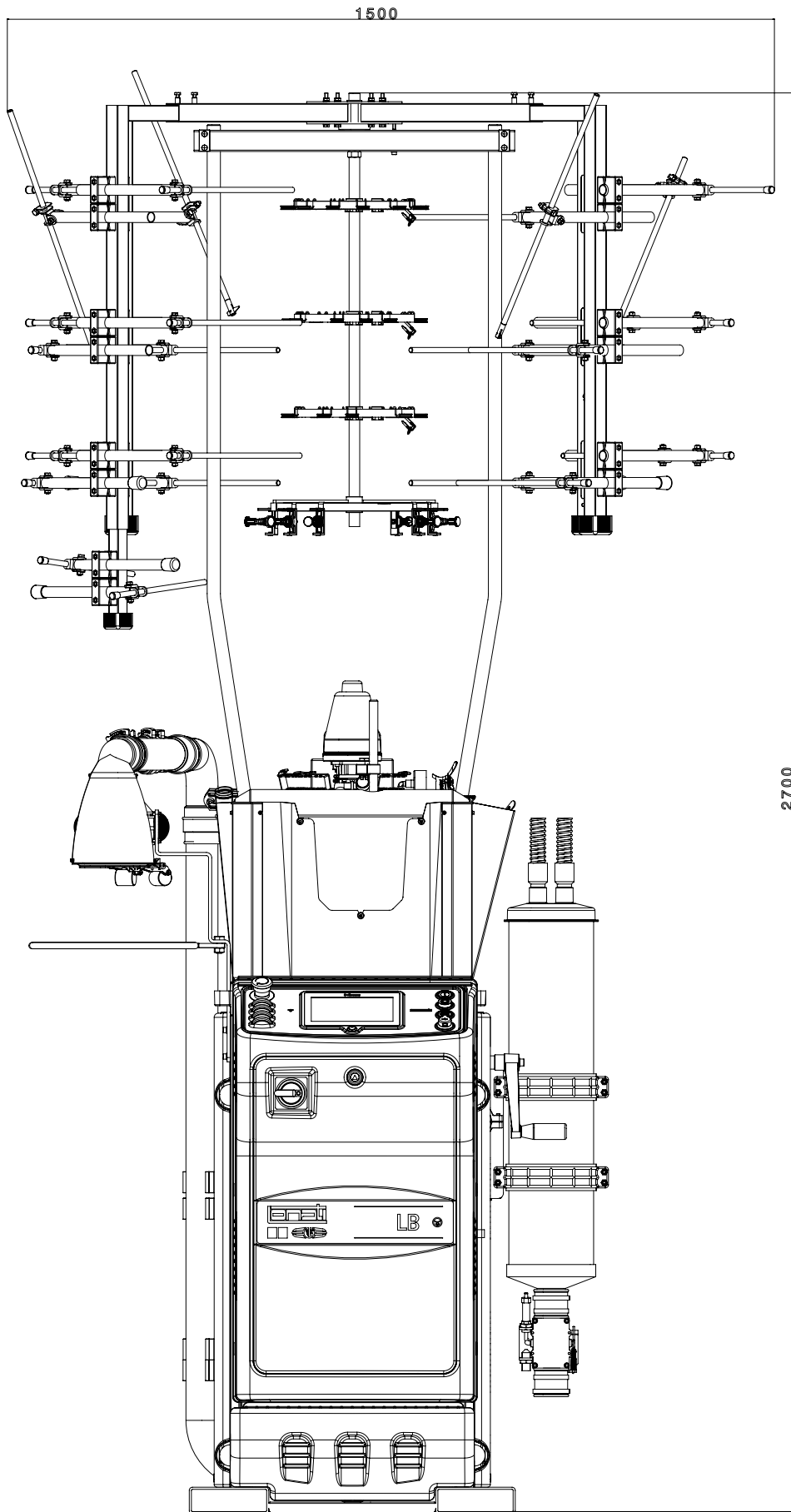
Machine average noise level, suction included LeqA = 74dBA

LUBRICANTS

Average consumption for 500/600 dozens: 1000 gr. - Lonati recommends: Fuchs Trax 14C - Kluber Tex Sintheso M32 – Esso Eil 0287

GREASE

For seals, bearings etc. Lonati recommends: Damping grease Nyogel 774F

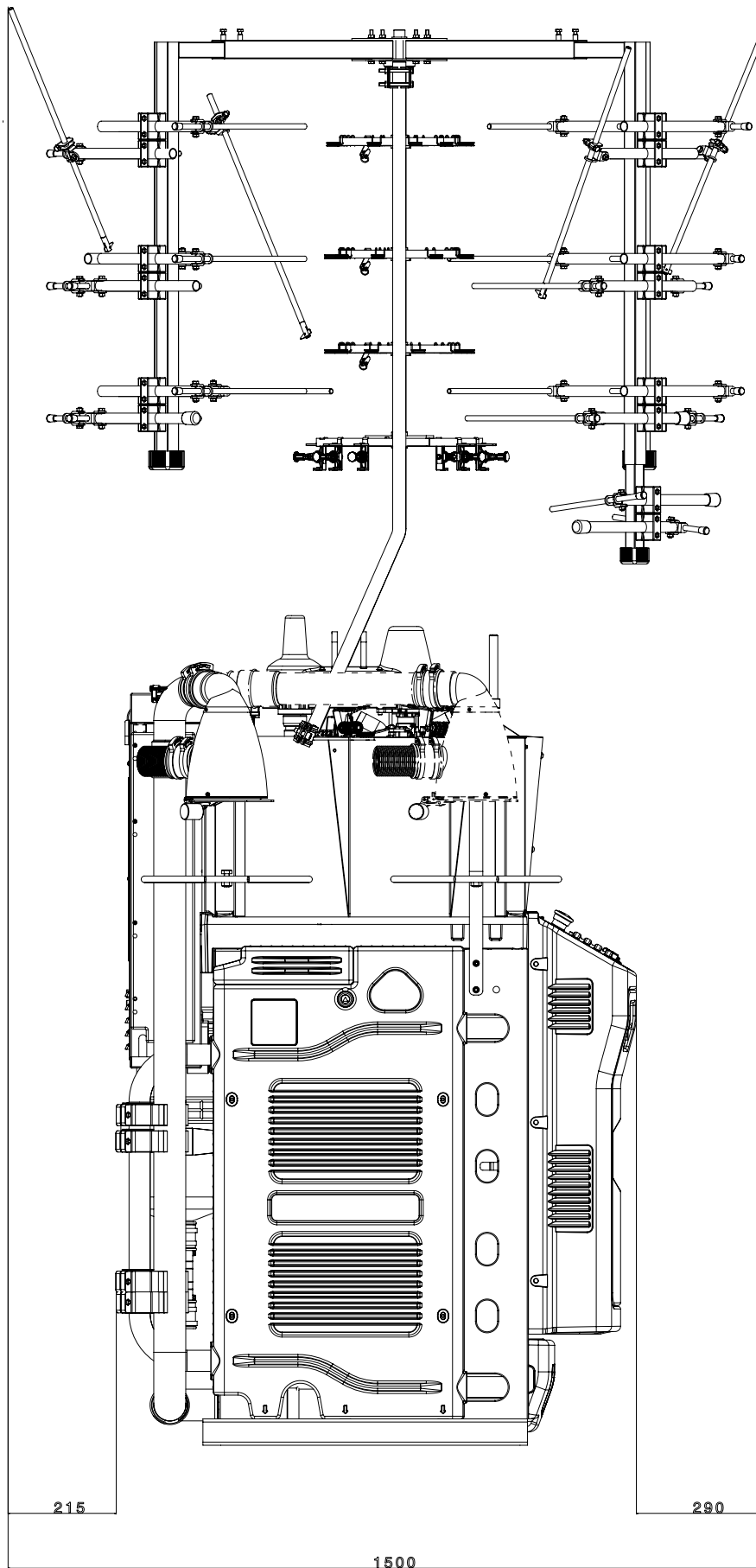


FRONT VIEW

Machine dimensions with 26 reels yarn creel

NOTE:

The picture may show fittings and equipment that are supplied on demand and not.



SIDE VIEW

Machine dimensions with 26 reels yarn creel

NOTE:

The picture may show fittings and equipment that are supplied on demand and not.





LONATI SPA

Via Francesco Lonati, 3 | 25124 Brescia (Italy)
Tel. +39 030 23901 | Fax +39 030 2310024
C.F.: 01469680175 | P.iva: 02096730961
info@lonati.com - www.lonati.com